

CERTIFICATE

Certified Passive House Component

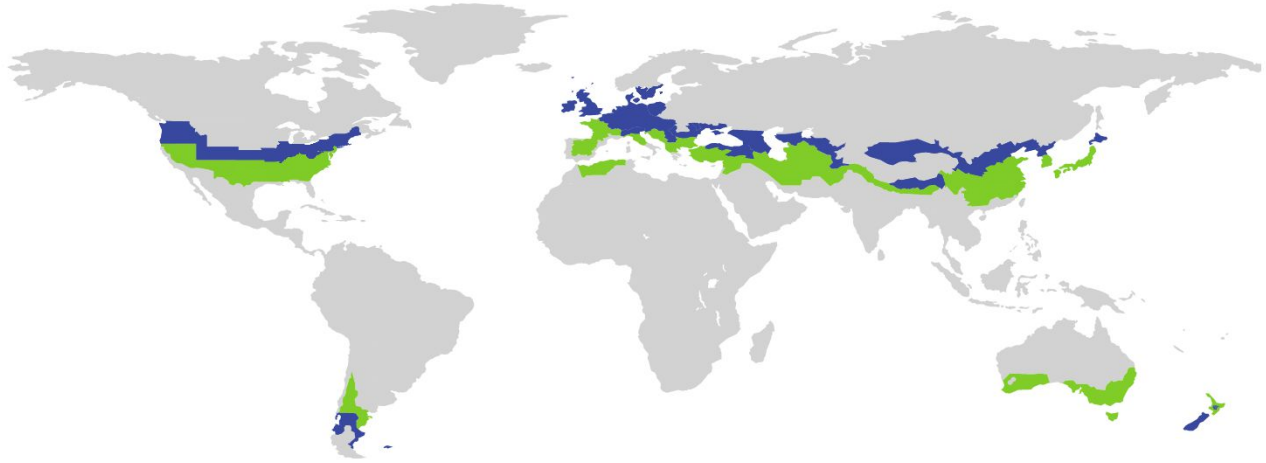
ID: 1650wj03 valid until 31 December 2023

Passive House Institute

Dr. Wolfgang Feist

64342 Darmstadt

GERMANY



Category **Wall junction**
Manufacturer **Schöck Bauteile GmbH**
76534 Baden-Baden
GERMANY
Product name **Sconnex® Typ W**

This certificate was awarded based on the following criteria for the climate zone

Hygiene criterion

Temperaturefactor of opaque junctions

$$f_{R_{si}=0,25m^2K/W} \geq 0.70$$

Energy criterion

The thermal bridge coefficient is

$$\psi \leq 0.80 \cdot \psi_{Max}$$



cool-temperate climate

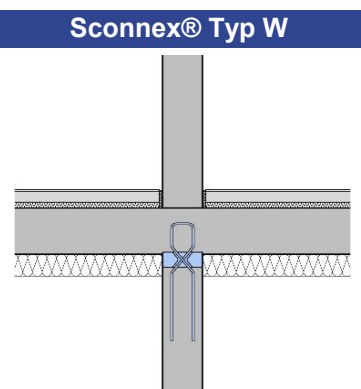


**CERTIFIED
COMPONENT**

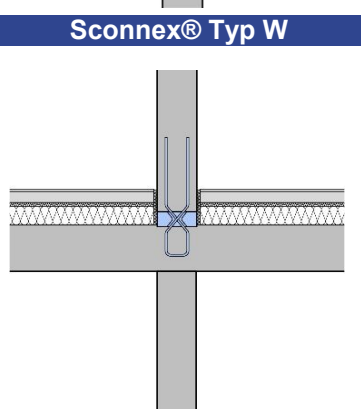
Passive House Institute

Determined values

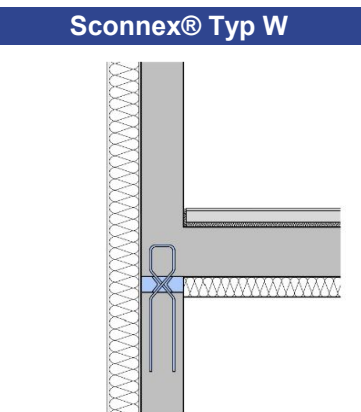
Insulation below ceiling				
Thermal transmittance ceiling				
0.246 W/(m²K)				
Thermal bridge coefficient ψ_{Max} - reference flank insulation				
0.2997 W/(mK)				
Thermal bridge coefficient without thermal separation				
0.6365 W/(mK)				
Centre distance component [m]	ψ [W/(mK)]	f_{Rsi} [-]	h [m]	d [m]
2.00	0.1123	0.91	0.10	0.20
1.00	0.1623	0.90	0.10	0.20



Insulation above ceiling				
Thermal transmittance ceiling				
0.246 W/(m²K)				
Thermal bridge coefficient ψ_{Max} - reference flank insulation				
0.6793 W/(mK)				
Thermal bridge coefficient without thermal separation				
0.7524 W/(mK)				
Centre distance component [m]	ψ [W/(mK)]	f_{Rsi} [-]	h [m]	d [m]
2.00	0.1052	0.89	0.10	0.20
1.00	0.1646	0.87	0.10	0.20
0.50	0.2897	0.87	0.10	0.20
0.30	0.4073	0.84	0.10	0.20



Exterior corner / ceiling above unheated basement / underground parking				
Thermal transmittance ceiling / wall				
0.246 W/(m²K) / 0.140 W/(m²K)				
Thermal bridge coefficient ψ_{Max} - reference flank insulation				
0.1373 W/(mK)				
Thermal bridge coefficient without thermal separation				
0.3400 W/(mK)				
Centre distance component [m]	ψ [W/(mK)]	f_{Rsi} [-]	h [m]	d [m]
2.00	-0.0005	0.86	0.10	0.20
1.00	0.0432	0.86	0.10	0.20
0.50	0.1118	0.84	0.10	0.20



Info

The maximum thermal bridge loss coefficient (ψ_{Max}) for wall junctions equals the thermal bridge loss coefficient of the same construction with flank insulation (1.00 m length, 10 cm insulation thickness all round, thermal conductivity 0.035 W/(mK) without thermal separation).

Calculations and boundary conditions according to the criteria and algorithms "Certified Passive House Components - Column- and wall- connection, Version 1.1"